

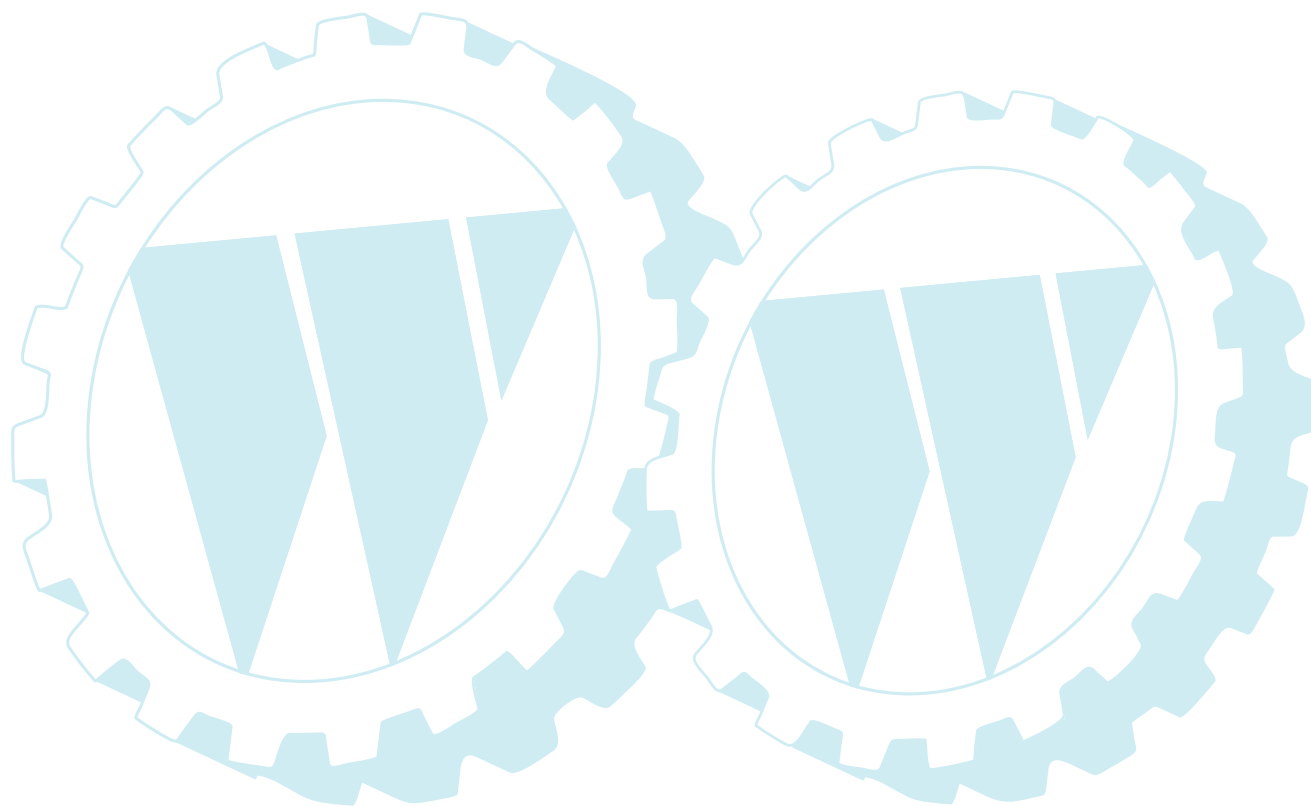
ILLUSTRATED PARTS BREAKDOWN

PARTNER

11.0 HP 92 LAWN TRACTOR

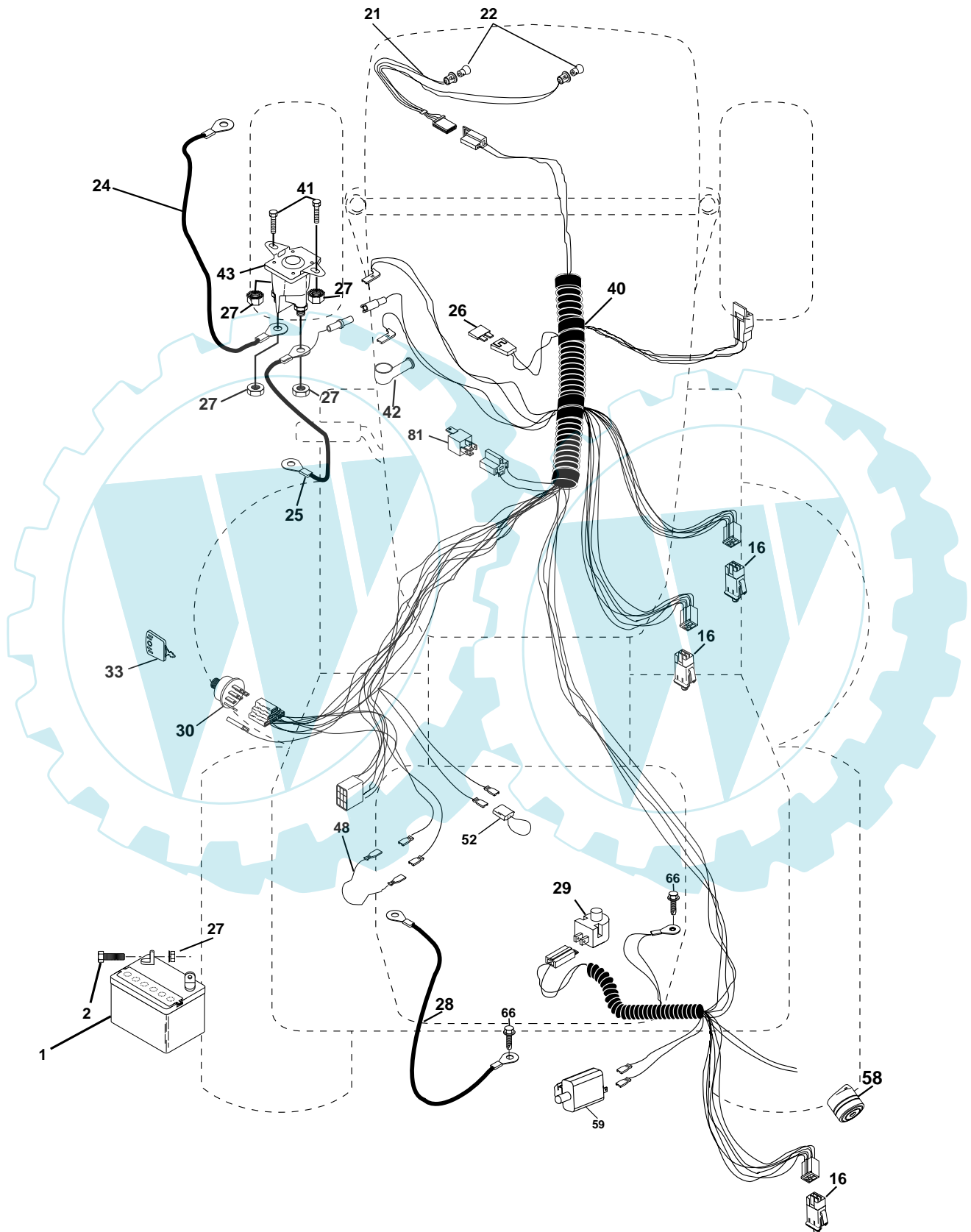
MODEL NO. P11CRD (P11CRDA)

964 78 02-00



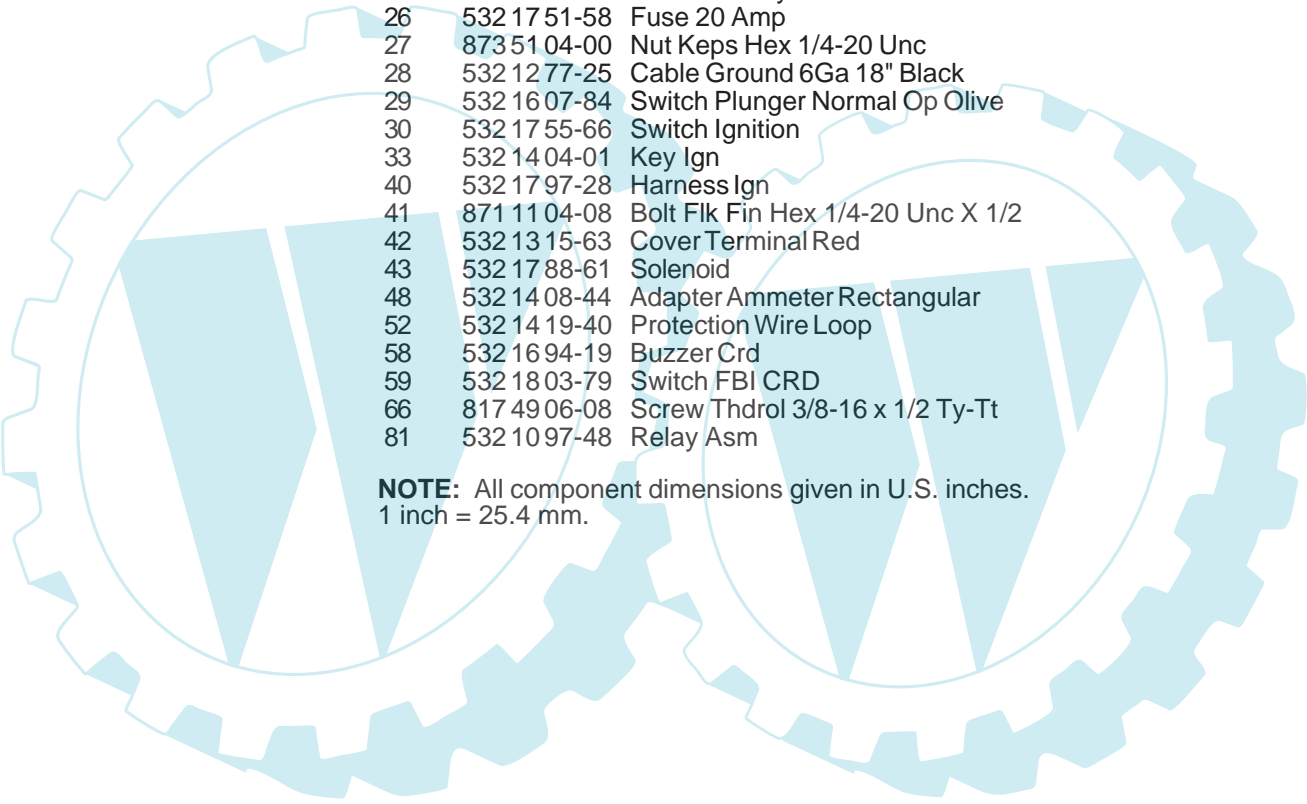
REPAIR PARTS

TRACTOR- -MODEL NO. P11CRD (P11CRDA) PRODUCT NO. 964 78 02-00
ELECTRICAL



REPAIR PARTS

TRACTOR- -MODEL NO. P11CRD (P11CRDA) PRODUCT NO. 964 78 02-00
ELECTRICAL

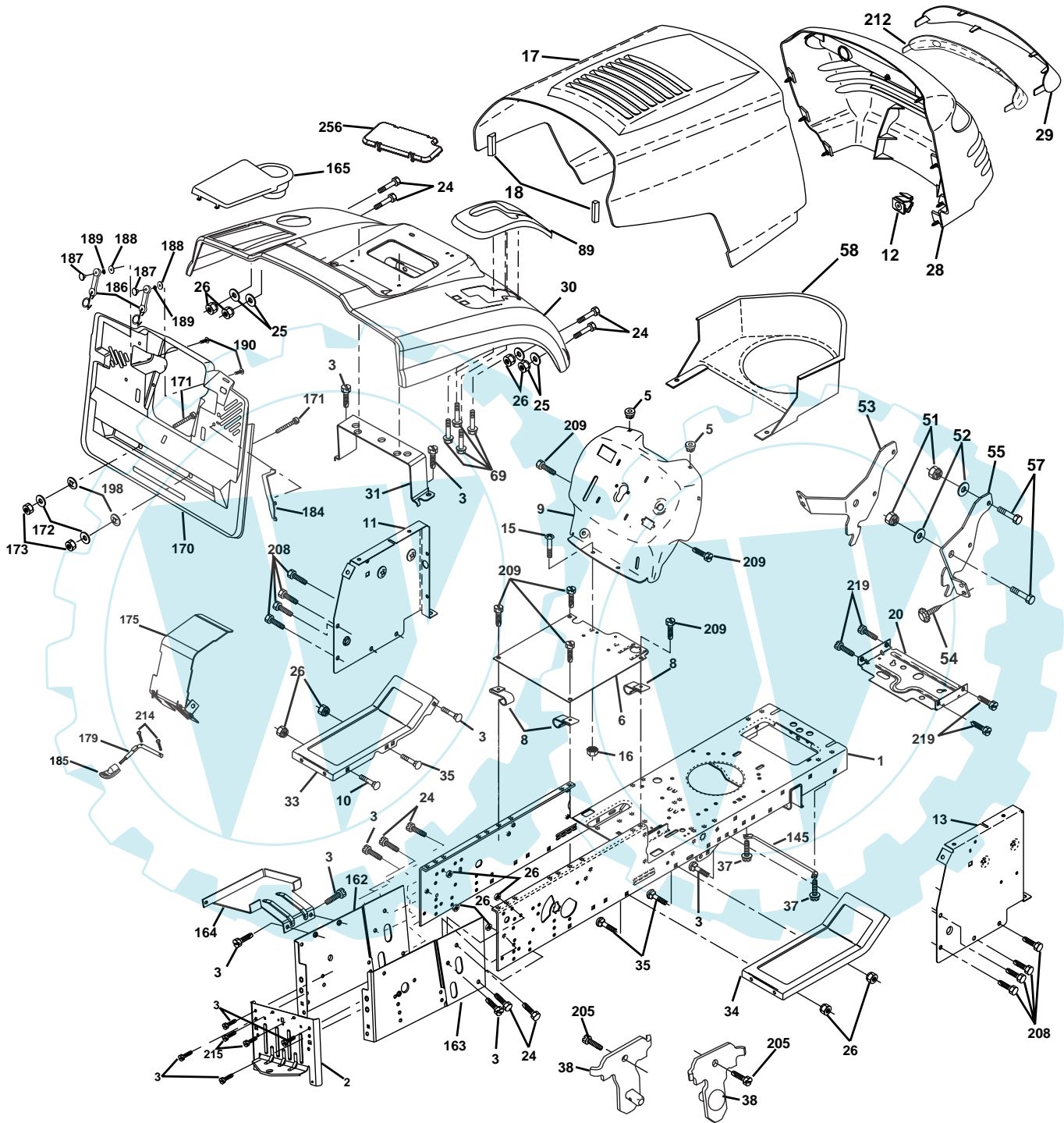


KEY NO.	PART NO.	DESCRIPTION
1	532 16 34-65	Battery 12 Volt 25 AMP Wet
2	874 76 04-12	Bolt Hex Hd 1/4-20 Unc X 3/4
16	532 17 61-38	Switch Interlock Push-In
21	532 17 56-88	Harness Asm Light W/4152J
22	532 00 41-52	Bulb Light #1156
24	532 12 47-80	Cable Starter 6Ga 11" Red
25	532 16 59-87	Cable Battery Crd 56" Red
26	532 17 51-58	Fuse 20 Amp
27	873 51 04-00	Nut Keps Hex 1/4-20 Unc
28	532 12 77-25	Cable Ground 6Ga 18" Black
29	532 16 07-84	Switch Plunger Normal Op Olive
30	532 17 55-66	Switch Ignition
33	532 14 04-01	Key Ign
40	532 17 97-28	Harness Ign
41	871 11 04-08	Bolt Flk Fin Hex 1/4-20 Unc X 1/2
42	532 13 15-63	Cover Terminal Red
43	532 17 88-61	Solenoid
48	532 14 08-44	Adapter Ammeter Rectangular
52	532 14 19-40	Protection Wire Loop
58	532 16 94-19	Buzzer Crd
59	532 18 03-79	Switch FBI CRD
66	817 49 06-08	Screw Thdrol 3/8-16 x 1/2 Ty-Tt
81	532 10 97-48	Relay Asm

NOTE: All component dimensions given in U.S. inches.
1 inch = 25.4 mm.

REPAIR PARTS

TRACTOR- -MODEL NO. P11CRD (P11CRDA) PRODUCT NO. 964 78 02-00
CHASSIS



REPAIR PARTS

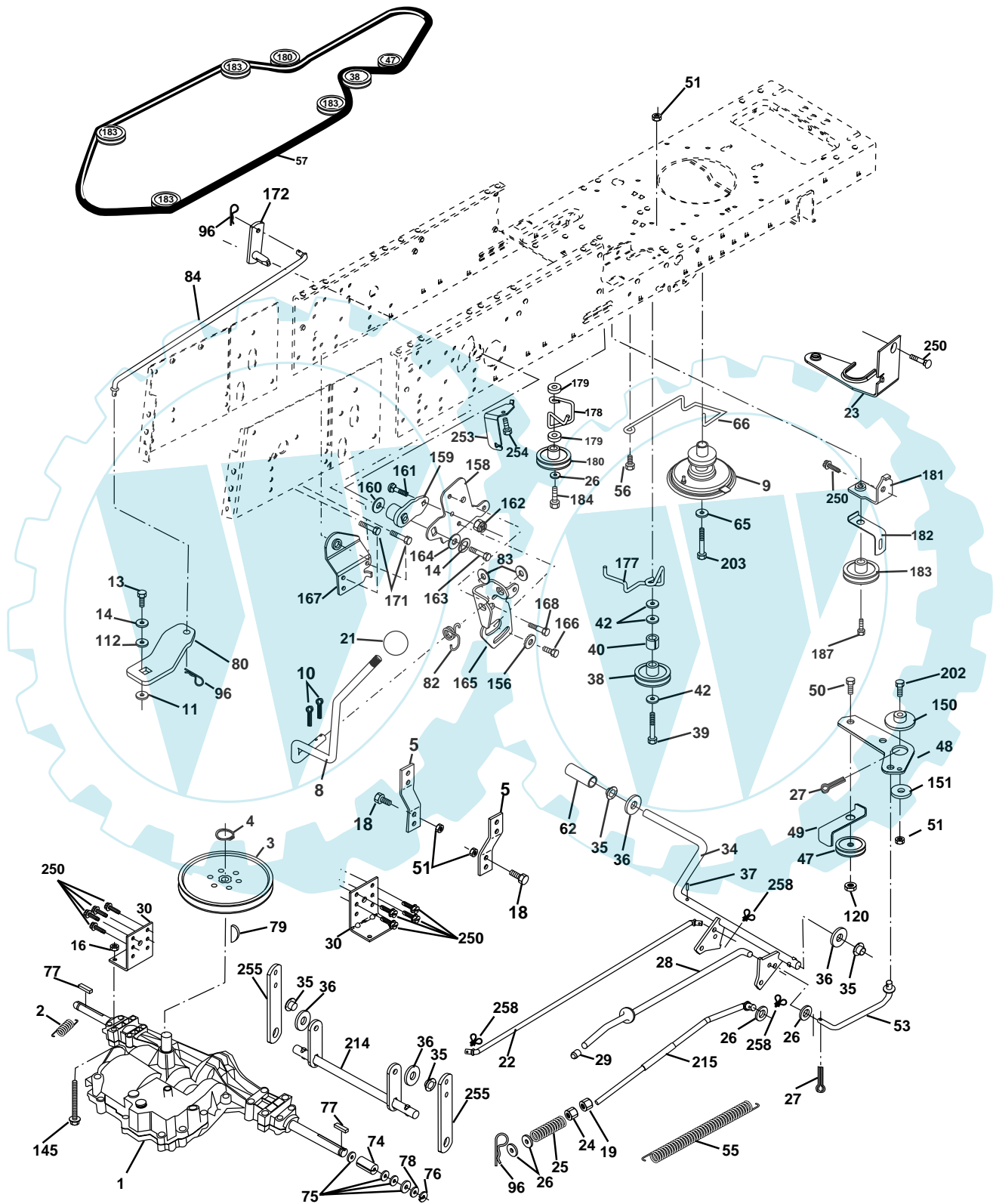
TRACTOR- -MODEL NO. P11CRD (P11CRDA) PRODUCT NO. 964 78 02-00 CHASSIS

KEY NO.	PART NO.	DESCRIPTION	KEY NO.	PART NO.	DESCRIPTION
1	532 17 46-20	Chassis	58	532 15 01-27	Duct Air Engine
2	532 18 03-84	Drawbar	69	532 14 24-32	Screw Hex Wsh
3	817 06 06-12	Screw 3/8-16 x 3/4	89	532 18 13-88	Console
5	532 15 52-72	Bumper Hood/Dash	145	532 15 65-24	Rod Pivot Chassis/Hood
6	532 15 59-23	Saddle	162	532 18 03-82	Bracket Exten Chassis Lh CRD
8	532 18 13-87	Clip Insulator 13/32 Mtg. Hole	163	532 18 03-83	Bracket Exten Chassis Rh CRD
9	532 17 22-43	Dash	164	532 16 56-05	Support Battery CRD
10	872 14 06-08	Bolt, Carriage 3/8-16 x 3/4	165	532 18 13-56	Cover Battery
11	532 15 59-27	Panel, Dash, L.H.	170	532 17 88-62	Backplate Asm CRD
12	532 14 56-60	Clip Tinnerman	171	872 14 06-20	Bolt Rdhd Sqnk 3/8-16 x 2-1/2 Gr. 5
13	532 17 30-25	Panel, Asm. Dash R.H.	172	819 13 20-16	Washer 13/32 x 1-1/4 x 16 Ga.
15	874 18 05-12	Screw, Machine, Truss Head 5/16-18 UNC x 3/4	173	873 51 06-00	Nut, Keps Hex 3/8-16 UNC
16	873 51 05-00	Nut	175	532 18 03-10	Guard Trap
17	532 16 03-82	Hood	179	532 18 03-76	Rod Pivot FBI CRD
18	532 12 69-38	Bumper Hood	184	532 17 46-62	Bracket Actuator Bagger CRD
20	532 18 06-79	Plate Mtg Battery/Tank Fuel Fr.	185	532 18 11-01	Knob Rod Brake Parking
24	874 78 06-16	Bolt	186	532 16 07-93	Latch Asm Mulch/Bagger
25	819 13 13-12	Washer 13/32 x 13/16 x 12 Gauge	187	532 12 50-04	Nut Weld
26	873 80 06-00	Nut	188	819 06 12-16	Washer #10
28	532 17 97-78	Grille /Lens Asm	189	810 07 10-00	Washer Lock #10
29	532 17 59-02	Lens, Grille	190	871 08 10-10	Screw Pan Hd Phillip 10-24 x 5/8
30	532 18 13-86	Fender	198	532 16 89-37	Nut, Push
31	532 16 51-56	Bracket, Fender Support	205	817 49 06-08	Screw Thdrol 3/8-16 x 1/2
33	532 18 10-57	Footrest, L.H.	207	817 67 05-08	Screw Thdrol 5/16-18 x 1/2
34	532 18 10-58	Footrest, R.H.	208	817 67 06-08	Screw Thdrol 3/8-16 x 1/2
35	872 11 06-06	Bolt	209	817 00 06-12	Screw Hex Wsh Thdrol 3/8-16
37	817 49 05-08	Screw Thdrol 5/16-18 x 1/2 TYT	212	532 15 64-94	Insert Lens Reflective
38	532 17 57-10	Bracket Asm Pivot Mower Rear	214	532 12 47-88	Retainer Spring
51	873 80 04-00	Nut Lock 1/4-20unc	215	817 06 05-08	Screw 5/16-18 x 1/2
52	819 09 14-16	Washer 9/32 x 7/8 x 16 Ga.	256	532 18 13-61	Cover Fender Rack CRD
53	532 14 46-97	Bracket Pick Off LH	--	532 00 54-79	Plug, Button
54	532 16 14-64	Screw Hex 8-18 x 7/8			
55	532 14 46-96	Bracket Grille RH			
57	874 78 04-12	Bolt Fin Hex 1/4-20 Unc x .75			

NOTE: All component dimensions given in U.S. inches.
1 inch = 25.4 mm.

REPAIR PARTS

TRACTOR- -MODEL NO. P11CRD (P11CRDA) PRODUCT NO. 964 78 02-00
DRIVE



REPAIR PARTS

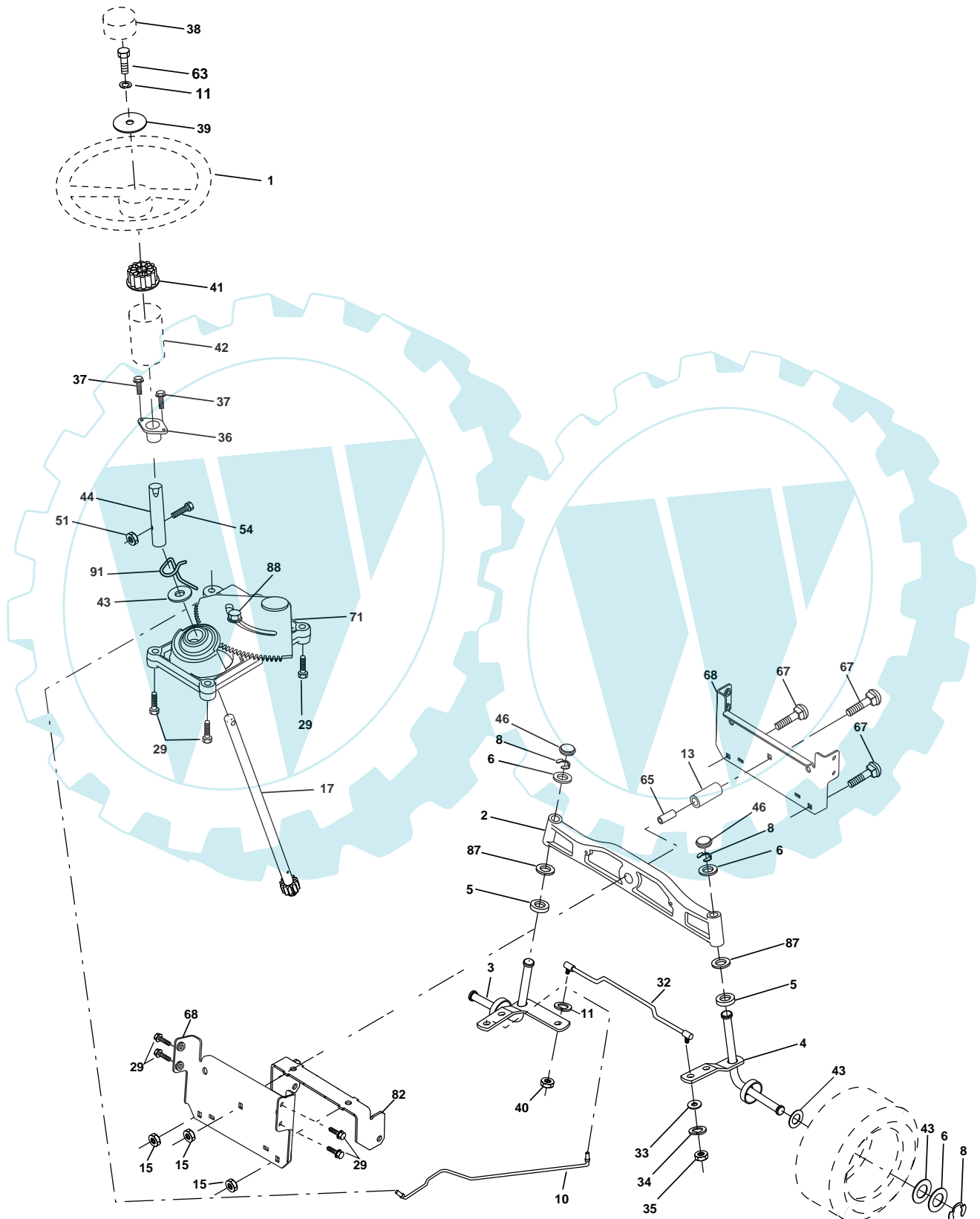
TRACTOR- -MODEL NO. P11CRD (P11CRDA) PRODUCT NO. 964 78 02-00 DRIVE

KEY NO.	PART NO.	DESCRIPTION	KEY NO.	PART NO.	DESCRIPTION
1	-----	Transaxle Peerless 206-546 Order parts from transaxle manufacturer	76	8120000-01	Ring, E
2	532 14 66-82	Spring Brake Return	77	532 12 35-83	Key, Square
3	532 16 59-99	Pulley Transaxle	78	532 12 17-48	Washer 25/32 x 1-5/8 x 16 Ga.
4	8120000-28	Ring Retainer #5100-62	79	532 12 50-96	Key Woodruff
5	532 12 15-20	Strap torque 30 degrees	80	532 14 50-90	Arm Shift PMST 20" Tires
8	532 16 56-19	Rod Shift Fender Adjust Lt	82	532 16 57-11	Spring, Torsion
9	532 17 01-63	Clutch Asm Noram	83	819 17 12-16	Washer 17/32 x 3/4 x 16 Ga.
10	8760204-16	Pin, Cotter 1/8 x 1	84	532 16 56-21	Link Shift CRD Pmst 18" Tires
11	532 10 57-01	Washer Plate Shf .3888 sq hole	96	532 12 47-88	Spring, Retainer 1"
13	874 55 04-12	Bolt 1/4-28 Unf Gr 8 w/patch	112	819 09 12-10	Washer 9/32 x 3/4 x 10 Ga.
14	810 04 04-00	Washer, Lock Hvy Helical	120	873 90 06-00	Nut Lock 3/8-16unc
16	873 80 05-00	Nut, Lock Hex w/Ins 5/16-18 UNC	145	874 49 05-40	Bolt Hex FGHD 5/16-18 x Gr 5
18	874 78 06-16	Bolt Hex 3/8-16 UNC x 1 Gr.5	150	532 16 58-50	Bushing, Bellcrank Grnd Dr
19	873 80 06-00	Nut, Lock Hex w/Wsh 3/8-16 UNC	151	819 13 32-10	Washer 13/32 x 2 x 10 Ga.
21	532 10 69-33	Knob Round 1/2-13 Unc Blk	156	532 16 60-02	Washer Srred 5/16 ID x 1.125
22	532 17 56-07	Rod, Brake CRD 0650	158	532 16 55-89	Bracket Shift Mount
23	532 18 03-02	Bracket Clutch Noram	159	532 16 54-94	Hub Tapered Flange Shift Lt
24	873 35 06-00	Nut	160	819 29 20-16	Washer 29/32 x 1-1/4 x 16 Ga
25	532 10 68-88	Spring, Rod, Brake	161	872 14 04-06	Bolt Rdhd Sqnk 1/4-20 x 3/4 Gr 5
26	819 13 13-16	Washer 13/32 x 13/16 x 16 Ga.	162	873 68 04-00	Nut Crownlock 1/4-20 Unc
27	8760204-12	Pin, Cotter 1/8 x 3/4	163	874 78 04-16	Bolt Hex Fin 1/4-20 Unc x 1 Gr 5
28	532 17 57-65	Rod, Parking Brake	164	819 09 10-10	Washer 5/8 x .281 x 10 Ga.
29	532 07 16-73	Cap, Parking Brake	165	532 16 56-23	Bracket Pivot Lever
30	532 17 49-73	Bracket, Mfg. Transaxle	166	532 16 68-80	Screw 5/16-18 x 5/8
34	532 17 55-78	Shaft, Asm Pedal Foot CRD	167	532 16 55-88	Bracket Support Shift CRD
35	532 12 01-83	Bearing, Nylon	168	532 16 54-92	Bolt Shoulder 5/16-18 x .561
36	819 21 16-16	Washer 21/32 x 1 x 16 Ga.	171	817 49 06-08	Screw Thdrol 3/8-16 x 1/2 Ty-Tt
37	532 12 49-63	Pin, Roll 3/16 x 1"	172	532 16 56-35	Shaft Asm Shift Front CRD PMST
38	532 16 59-36	Pulley, Flat	177	532 16 59-32	Keeper Flat Idler 3.06" CRD
39	874 76 06-44	bolt Fin Hex 3/8-16 unc x 2-3/4	178	532 16 59-33	Keeper Belt Idler 1.88" CRD
40	532 12 49-65	Spacer, Split 395 x 59 Bzp	179	532 12 09-58	Washer Sintered
42	819 13 13-12	Washer 13/32 x 13/16 x 12 Ga.	180	532 16 56-30	Pulley Flat Composite 3.06"
47	532 12 77-83	Pulley, Idler, V Groove Plasitc	181	532 18 02-11	Bracket Idler Ground Drive CRD
48	532 15 44-07	Bellcrank Clutch Grnd Drv	182	532 16 56-34	Keeper Belt 2.5" Od V-Idler CRD
49	532 12 32-05	Retainer, Belt Style Spring	183	532 17 90-50	Pulley V-Idler 2.50" Od CRD
50	874 76 06-24	Bolt Hex Hd 3/8-16 UNC x 1-1/2	184	817 49 06-44	Screw Hexwsh Thdrol 3/8-16 x 2-3/4
51	873 68 06-00	Nut, Crownlock 3/8-16 UNC	187	817 58 05-20	Screw Thdrol 3/8-16 x 1-1/4
53	532 10 57-10	Link, Clutch 7.66	202	872 11 06-12	Bolt Carr Sh 3/8-16 x 1-1/2 Gr. 5
55	532 10 57-09	Spring, Return, Clutch	203	871 17 07-80	Bolt Hex 7/16-20 x 5
56	817 06 06-20	Screw 3/8-16 x 1-1/4	250	817 06 06-12	Screw, 3/8-16 x 3/4
57	532 16 56-31	V-Belt Kev PMST CRD	215	532 17 56-51	Rod Brake
62	532 12 48-72	Cover, Pedal	253	532 17 50-28	Bracket Cable Chassis
65	810 04 07-00	Washer	254	817 06 06-16	Screw 3/8-16 x 1
66	532 15 47-78	Keeper, Belt Engine F-Proof	255	532 17 56-08	Brace shaft Brake Mtg.
74	532 13 70-57	Spacer Axle	258	532 17 80-62	Clip Retainer
75	532 12 17-49	Washer 25/32 x 1-1/4 x 16 Ga.			

NOTE: All component dimensions given in U.S. inches
1 inch = 25.4 mm

REPAIR PARTS

TRACTOR- -MODEL NO. P11CRD (P11CRDA) PRODUCT NO. 964 78 02-00
STEERING ASSEMBLY



REPAIR PARTS

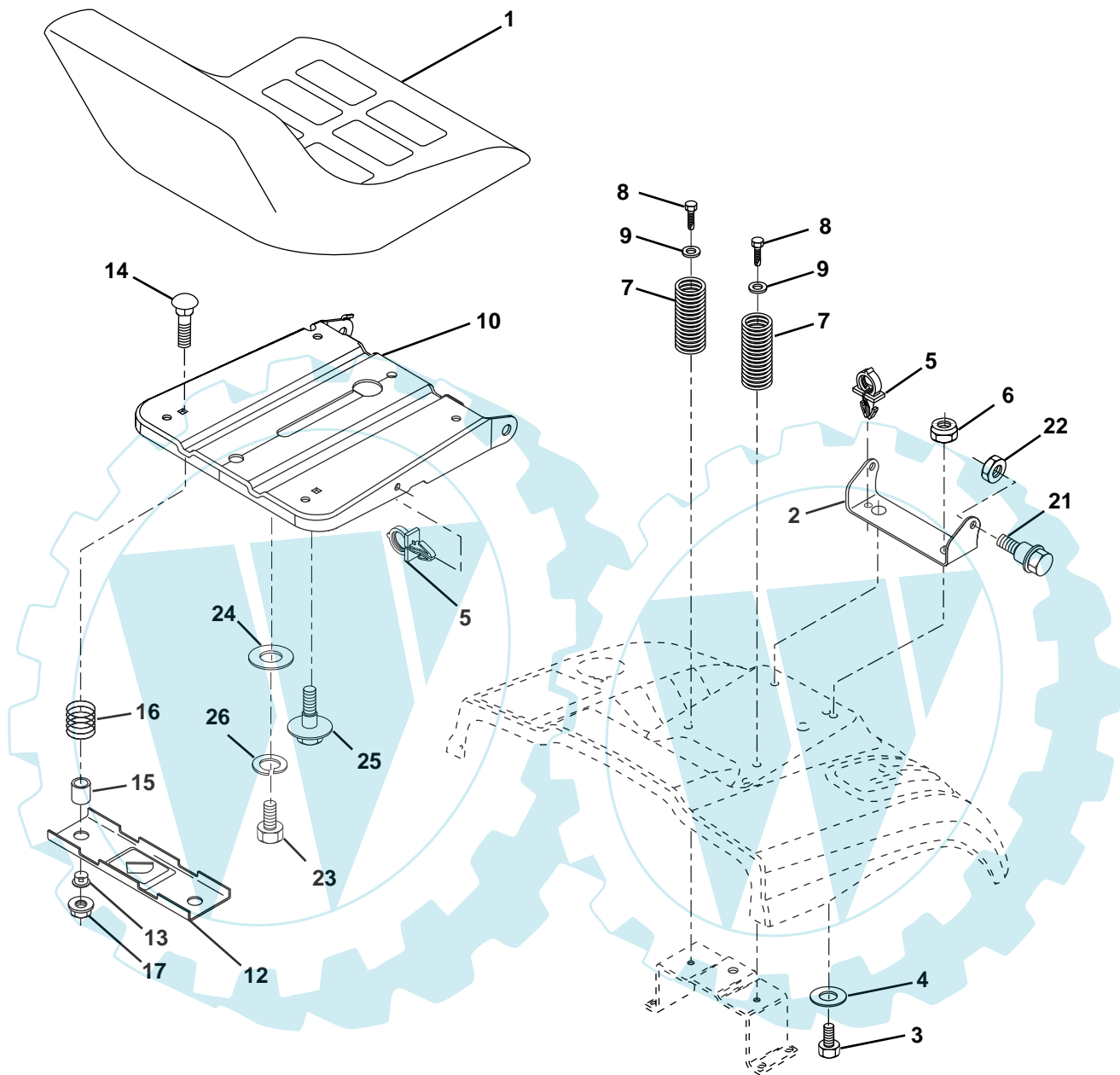
TRACTOR- -MODEL NO. P11CRD (P11CRDA) PRODUCT NO. 964 78 02-00
STEERING ASSEMBLY

KEY NO.	PART NO.	DESCRIPTION
1	532 13 97-68	Steering Wheel
2	532 17 23-93	Front Axle Assembly
3	532 16 98-40	Spindle Assembly, L.H.
4	532 16 98-39	Spindle Assembly, R.H.
5	532 12 49-31	Bearing, Race, Thrust, Hardened
6	532 12 17-48	Washer 25/32 x 1-5/8 x 16 Gauge
8	812 00 00-29	Ring, Klip
10	532 17 51-21	Link, Drag
11	810 04 06-00	Washer, Lock
13	532 13 65-18	Spacer Axle
15	532 14 52-12	Nut Hex Flange Lock
17	532 17 78-76	Shaft Assembly, Steering
29	817 06 06-12	Screw 3/8-16 x 3/4
32	532 17 01-62	Rod, Tie
33	819 11 12-16	Washer 11/32 x 3/4 x 16 Ga.
34	810 04 05-00	Washer Lock Hvy Hlcl Spr 5/16
35	873 54 05-00	Crownlock Nut 5/16-24 Unf
36	532 15 50-99	Bushing, Steering
37	532 15 29-27	Screw TT #10-32 x 5 x 3/8 Flange
38	532 14 01-75	Cap Wheel Steer
39	819 13 38-12	Washer 13/32 x 2-3/8 x 12 Gauge
40	532 12 47-01	Nut Lock Center 3/8-24 Unf
41	532 10 07-11	Adaptor, Steering Wheel
42	532 16 96-34	Boot, Steering Dash P/L Mtl
43	532 12 17-49	Washer 25/32 x 1-1/4 x 16 Gauge
44	532 15 37-20	Extension Steering
46	532 12 12-32	Cap, Spindle
51	873 80 05-00	Nut Lock Hx W/Ins 5/16-18 UNC
54	874 78 05-20	Bolt Fin Hex 5/16-18 UNC x 1-1/4
63	874 78 06-16	Bolt Fin Hex 3/8-16 unc. x 1 Gr. 5
65	532 16 03-67	Spacer Axle
67	872 14 06-18	Bolt Rdhd Sq 3/8-16 x 2-1/4
68	532 16 98-27	Brace Axle
71	532 17 51-46	Steering Asm.
82	532 16 98-35	Bracket Susp. Chassis Front
87	532 17 39-66	Washer Flat .781 x 1-1/2 x .14
88	532 17 51-18	Bolt Shoulder 7/16-20 Unc
91	532 17 55-53	Clip Steering

NOTE: All component dimensions given in U.S. inches.
1 inch = 25.4 mm.

REPAIR PARTS

TRACTOR- -MODEL NO. P11CRD (P11CRDA) PRODUCT NO. 964 78 02-00
SEAT ASSEMBLY



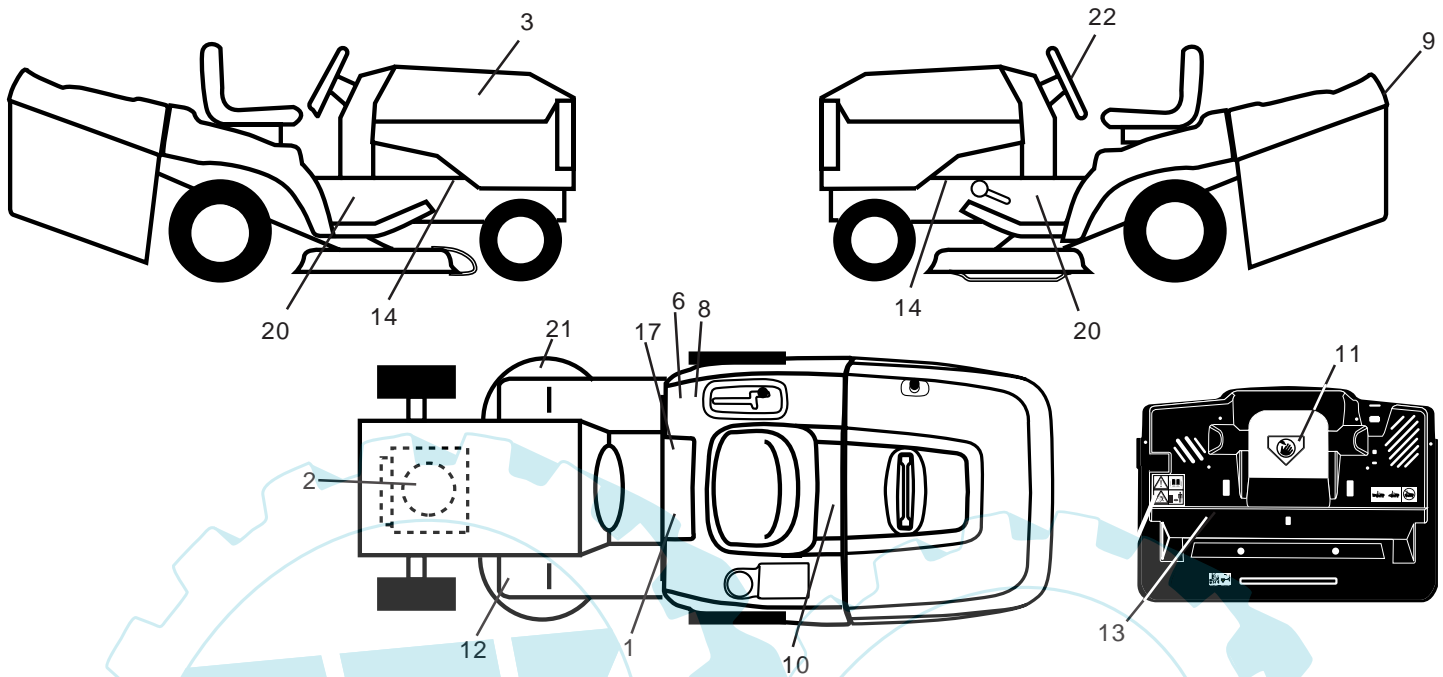
KEY NO.	PART NO.	DESCRIPTION
1	532 17 53-89	Seat
2	532 14 05-51	Bracket Pnt Pivot Seat (blk)
3	871 11 06-16	bolt Hex 3/8-16unc x 1
4	819 13 16-10	Washer 13/32 x 1 x 10
5	532 14 50-06	Clip Push In Hinged
6	873 80 06-00	Nut Lock 3/8-16
7	532 12 41-81	Spring Seat Cprsn 2 250 Blk Zi
8	817 00 06-16	Screw 3/8-16 X 1-1/2
9	819 13 16-14	Washer 13/32 X 1 X 14 Ga.
10	532 17 48-94	Par Assembly Seat Tool-Free
12	532 12 12-46	Bracket Pnt Mounting Switch
13	532 12 12-48	Bushing Snap Blk Nyl 50 Id

KEY NO.	PART NO.	DESCRIPTION
14	872 05 04-12	Bolt Rdhd Sht Nk 1/4-20x1-1/2
15	532 13 43-00	Spacer Split
16	532 12 12-50	Spring Cprsn Plate SW 1.310 Ga
17	532 12 39-76	Nut Lock 1/4 Lge Flg Gr 5 Zinc
21	532 17 18-52	Bolt Shoulder 5/16-18 Unc-2A
22	873 80 05-00	Nut Hex Lock w/Ins 5/16-18
23	871 11 08-14	Bolt Hex Black
24	819 17 19-12	Washer 17/32 L X 1-3/16 X 12 Ga.
25	532 12 70-18	Bolt Shoulder 5/16-18 X 62
26	810 04 08-00	Washer Lock Hvy Hlcl Spr 1/2

NOTE: All component dimensions given in U.S. inches.
1 inch = 25.4 mm

REPAIR PARTS

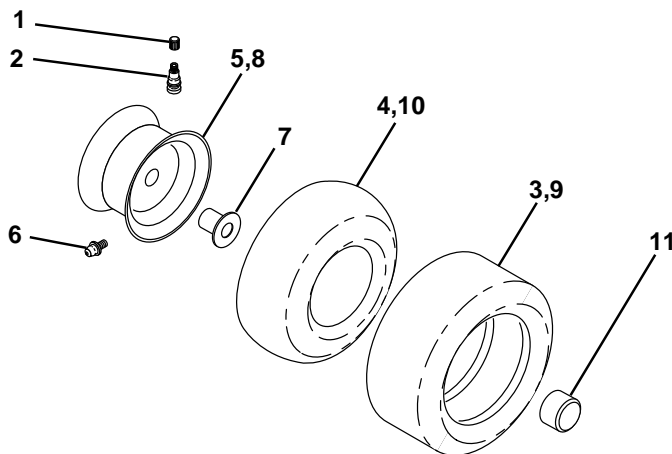
TRACTOR- -MODEL NO. P11CRD (P11CRDA) PRODUCT NO. 964 78 02-00
DECALS



KEY NO.	PART NO.	DESCRIPTION
1	532 14 54-98	Decal Read Owner's Manual Sym
2	532 17 08-43	Decal Hp Engine
3	532 14 09-87	Decal Hood Rh
6	532 12 61-87	Decal 100 DBA
8	532 14 54-37	Decal Europe Stand Ce
9	532 14 09-87	Decal Fender Logo
10	532 14 50-05	Decal Bat Dan/Poi P/L Sym Wpn
11	532 14 54-94	Decal Mower Cut Finger Symbol
12	532 15 97-37	Decal Brake/Clutch Symbol Lt
13	532 18 04-35	Decal Warn Back Plate CRD

KEY NO.	PART NO.	DESCRIPTION
14	532 15 97-36	Decal Chassis Hot Muffler
17	532 14 08-37	Decal Saddle Brake Parking
20	532 13 75-88	Decal Chassis Turbo
21	532 16 62-86	Decal Deck Sch 92 CRD
22	532 14 69-98	Decal Insert Steering Wheel
—	532 13 83-11	Decal Lift Handle
—	532 18 10-90	Pad Footrest RH
—	532 18 10-91	Pad Footrest LH
—	532 18 12-98	Manual Operator's (Euro)
—	532 18 12-99	Manual Operator's (Scand)

WHEELS & TIRES

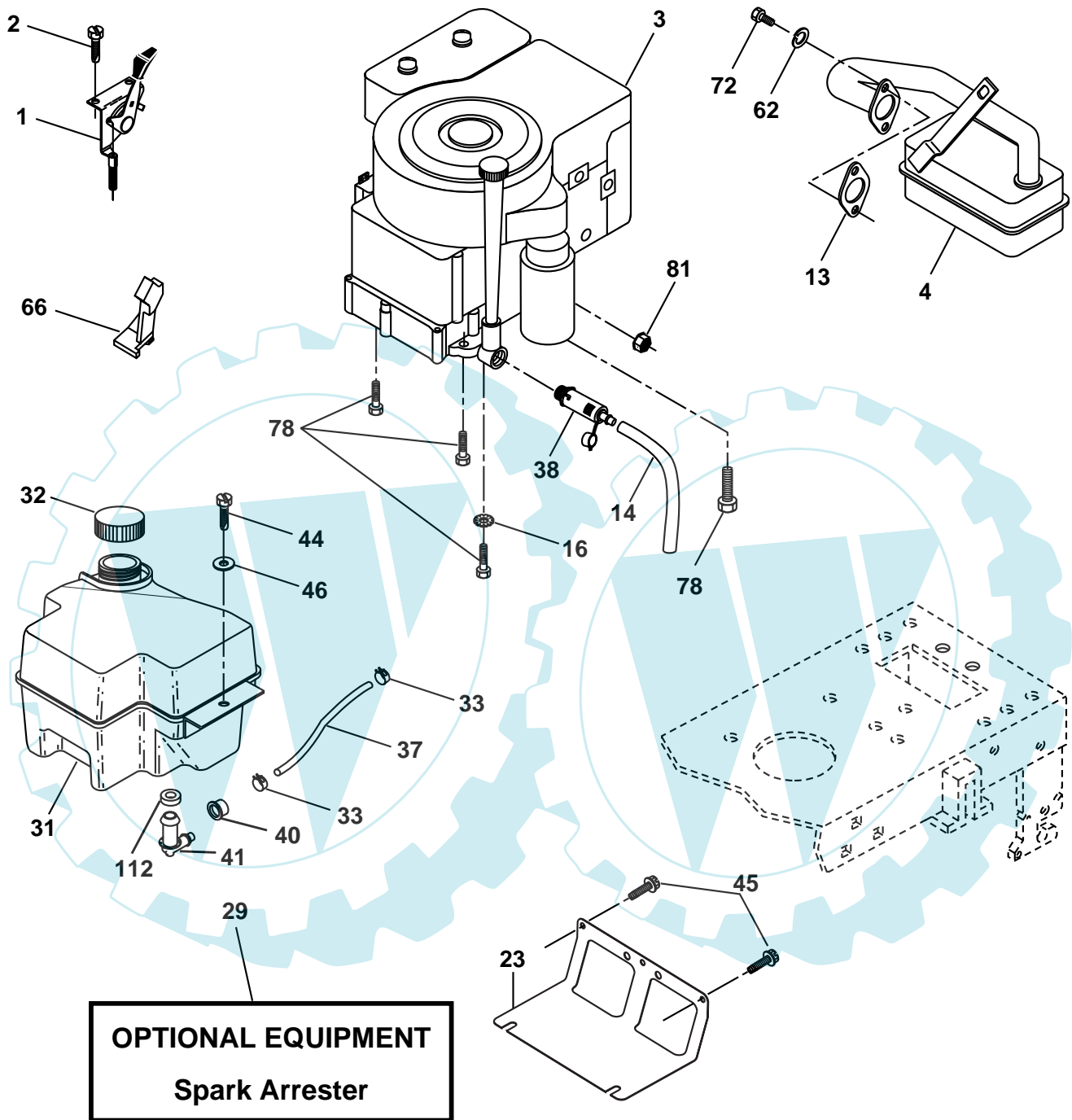


KEY NO.	PART NO.	DESCRIPTION
1	532 05 91-92	Cap Value Tire
2	532 06 51-39	Stem Value
3	532 10 62-22	Tire F Ts 15 X 6 0 - 6 Service
4	532 05 99-04	Tube Inner Front #35060
5	532 12 51-21	Rim Asm 6" front Service
6	532 12 49-57	Fitting Grease
7	532 12 49-59	Bearing Flange
8	532 12 51-22	Rim Asm 8" rear Service
9	532 12 46-35	Tire R Ts 18 x 8.5-8 Service
10	532 12 49-26	Tube Rear 9 5 X 8 Service
11	532 17 50-39	Cap Axle Blk 1 50 X 1 00
--	532 14 43-34	Sealant, Tire (10 oz. tube)

NOTE: All component dimensions given in U.S. inches
1 inch = 25.4 mm

REPAIR PARTS

TRACTOR- -MODEL NO. P11CRD (P11CRDA) PRODUCT NO. 964 78 02-00
ENIGNE



REPAIR PARTS

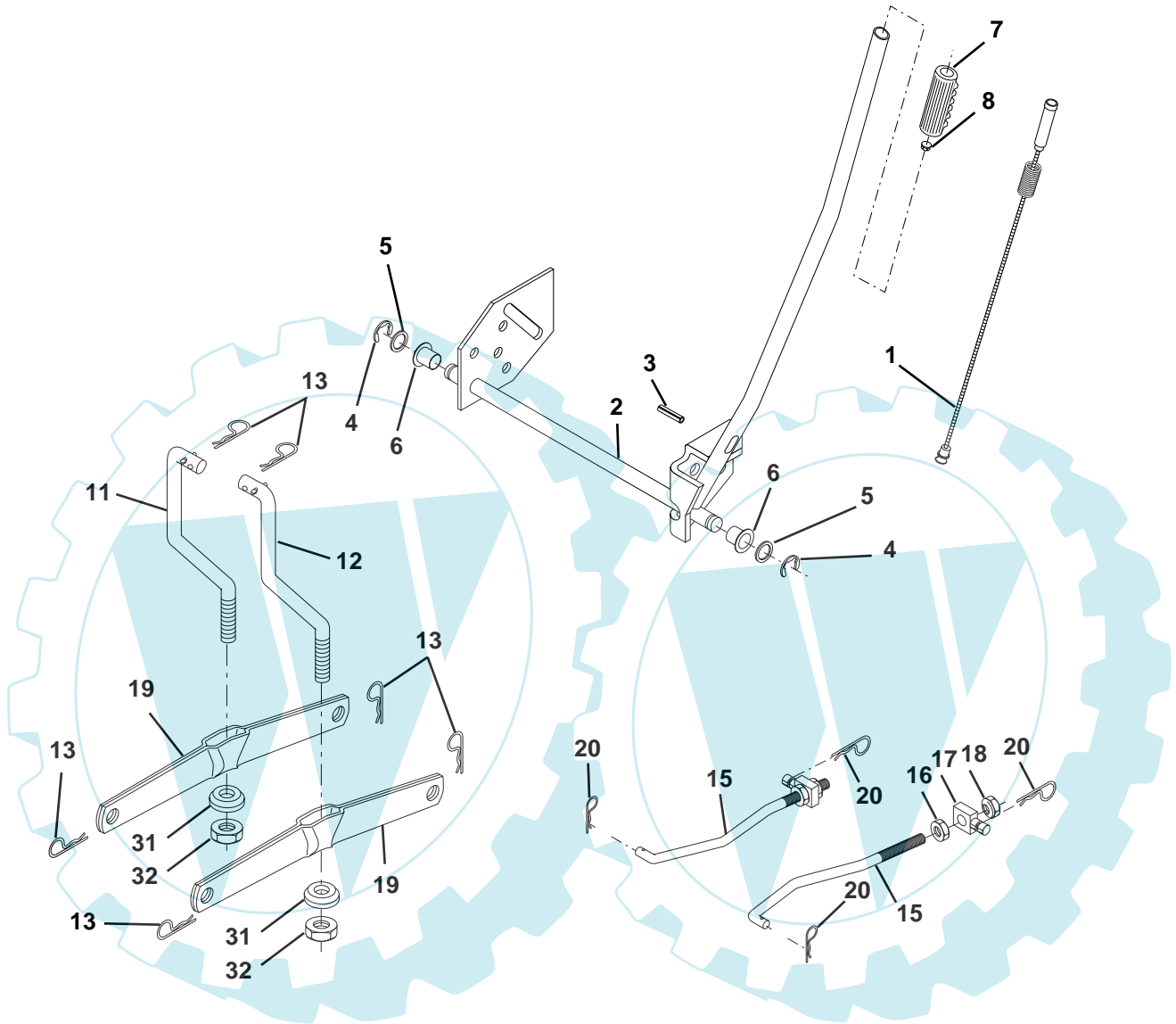
TRACTOR- -MODEL NO. P11CRD (P11CRDA) PRODUCT NO. 964 78 02-00
ENIGNE

KEY NO.	PART NO.	DESCRIPTION
1	532 17 08-65	Control Throt/Ch
2	817 72 04-08	Screw Hex Thd Cut 1/4-20 x 5/8 T
3	-----	Engine Briggs & Stratton Order Parts from Engine Manufacturer
4	532 13 73-48	Muffler Exhaust
13	532 16 52-91	Gasket 1 313 Id Tin Plated
14	532 14 84-56	Tube Drain Oil Easy
16	811 05 06-00	Washer Lock Ext Tooth 3/8
23	532 16 98-37	Shield Browning/Debris Guard
29	532 13 71-80	Arrestor Spark
31	532 18 06-45	Tank Fuel 2.00 Fr
32	532 14 05-27	Cap Asm Fule Top Vent N/Lany
33	532 12 34-87	Clamp Hose Blk
37	532 13 70-40	Line Fuel 20"
38	532 14 83-15	Plug Drain Oil Easy
40	532 12 40-28	Bushing Snap
41	532 13 92-77	Stem Tank Fuel
44	817 67 04-12	Screw Hexwsh Thdrol 1/4-20 x 3/4
45	817 00 06-12	Screw Hexwsh Thdr 3/8-16 x 3/4
46	819 09 14-16	Washer 9/32 x 7/8 x 16ga
62	810 04 05-00	Washer Lock Hvy Hlcl Spr 5/16
66	532 12 79-51	Stop Throttle 3000 Rpm
72	871 07 05-12	Screw Hexhd Cap 5/16-18 x 3/4
78	817 06 06-20	Screw 3/8-16 x 1-1/4
81	873 51 04-00	Nut Keps 1/4-20 UNC
112	532 12 49-52	Bushing

NOTE: All component dimensions given in U.S. inches
1 inch = 25.4 mm

REPAIR PARTS

TRACTOR- -MODEL NO. P11CRD (P11CRDA) PRODUCT NO. 964 78 02-00
MOWER LIFT



REPAIR PARTS

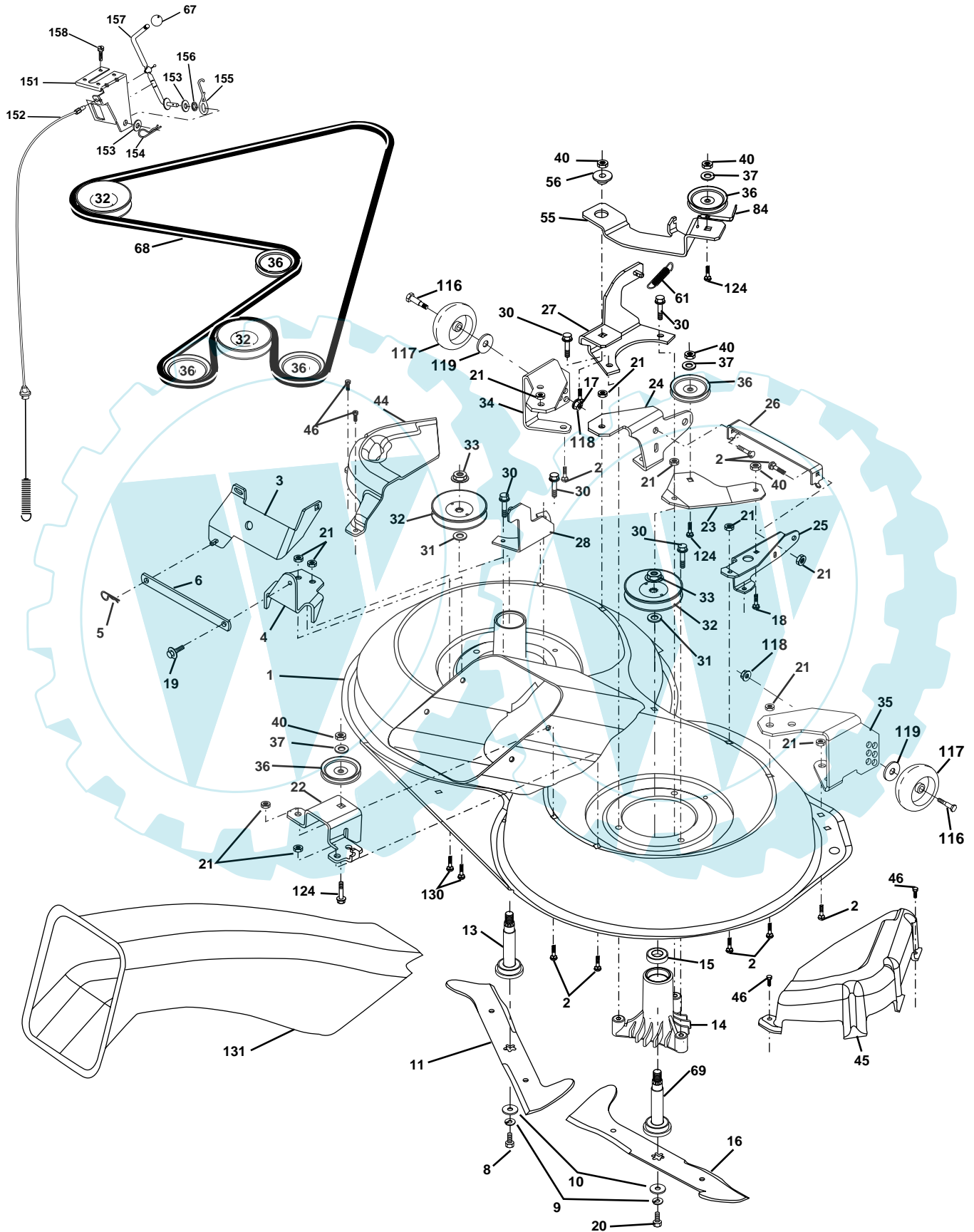
TRACTOR- -MODEL NO. P11CRD (P11CRDA) PRODUCT NO. 964 78 02-00
MOWER LIFT

KEY NO.	PART NO.	DESCRIPTION
1	532 15 94-60	Washer Asm Inner Spring W/Plunger
2	532 15 94-71	Shaft Asm. Lift
3	532 10 57-67	Pin Groove
4	812 00 00-02	E Ring #5133-62
5	819 21 16-21	Washer 21/32 x 1 x 21 Ga.
6	532 12 01-83	Bearing Nylon
7	532 10 94-13	Grip Handle
8	532 12 45-26	Button Plunger Black
11	532 16 58-29	Link Asm Lift L.H.
12	532 16 58-31	Link Asm Lift R.H.
13	532 12 46-70	Retainer Spring
15	532 17 32-88	Link Front
16	873 35 08-00	Nut Jam Hex 1/2-13 Unc
17	532 17 56-89	Trunnion Blk Zinc
18	873 80 08-00	Nut Lock w/Wsh 1/2-13 Unc
19	532 13 98-68	Arm Suspension Mower
20	532 16 35-52	Retainer Spring
31	532 16 98-65	Bearing, Pvt. Lift.
32	873 54 06-00	Nut Crownlock 3/8-24

NOTE: All component dimensions given in U.S. inches
1 inch = 25.4 mm

REPAIR PARTS

TRACTOR- -MODEL NO. P11CRD (P11CRDA) PRODUCT NO. 964 78 02-00
MOWER



REPAIR PARTS

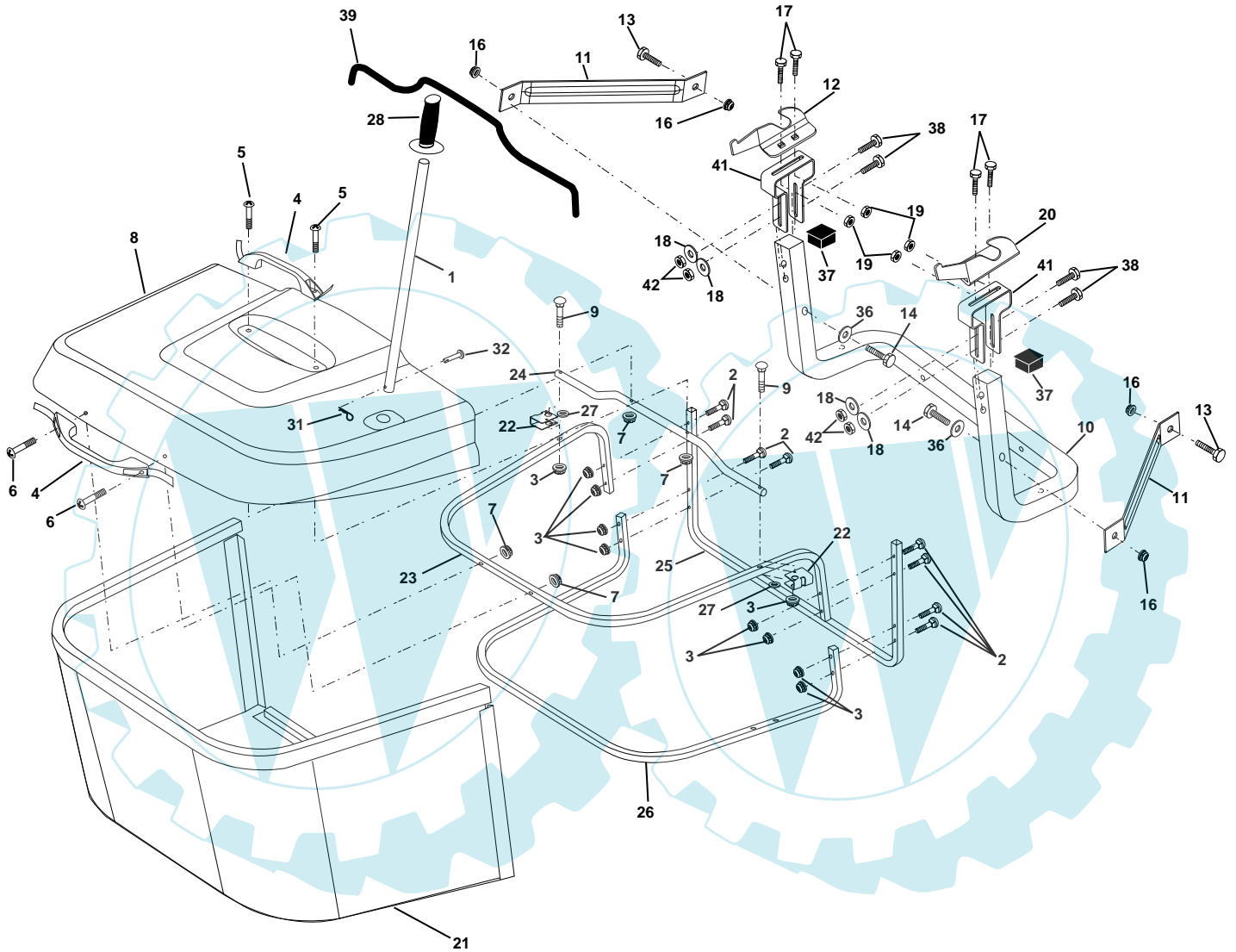
**TRACTOR- -MODEL NO. P11CRD (P11CRDA) PRODUCT NO. 964 78 02-00
MOWER**

KEY NO.	PART NO.	DESCRIPTION	KEY NO.	PART NO.	DESCRIPTION
1	532 1655-52	Housing Asm. Mower 92 CRD	37	819 13 13-16	Washer 11/32 x 13/16 x 16 Ga
2	872 14 05-06	Bolt Rdhd Sqnk 5/16-18 Unc x 3/4	40	873 68 06-00	Nut Crownlock 3/8-16 Unc
3	532 1655-69	Bracket Asm. S-Bar Chass 92 CRD	44	532 17 55-38	Cover Mandrel Lh 92 CRD
4	532 1655-58	Bracket Bar Sway Deck 92 CRD	45	532 17 55-39	Cover Mandrel Rh 92 CRD
5	532 1246-70	Retainer Spring	46	532 13 77-29	Screw Thd Roll 1/4-20 x 5/8
6	532 1655-57	Bar Sway 92 CRD	55	532 1654-45	Arm Idler 92 CRD
8	532 85 08-57	Bolt 3/8-24 x 1.25 Gr8 Patched	56	532 1657-23	Spacer Retainer Mower
9	810 03 06-00	Washer Lock Hvy 3/8 Unplated	61	532 1659-45	Spring Tension Belt
10	532 14 02-96	Washer Hard Blade Mower vented	67	532 10 69-32	Knob Rd 3/8-16 Plstc Thds Blk
11	532 17 00-37	Blade 3-1 Lh 92 CRD	68	532 1655-55	Hex-Belt 92 Mower 105AA
13	532 13 76-45	Shaft Asm. W/Lower Bearing	69	532 1654-82	Shaft Asm W/Lwr Brg Rh Thd CRD
14	532 12 87-74	Housing Mandrel Vented (Machd)	84	532 15 60-85	Keeper Belt Idler
15	532 11 04-85	Bearing Ball Mandrel	116	532 13 76-44	Bolt Shoulder
16	532 17 00-38	Blade 3-1 Rh 92 CRD	117	532 13 39-57	Wheel Gage Donut Wide
17	872 14 06-10	Bolt Carriage 3/8-16 x 1-1/4	118	873 93 06-00	Nut Centerlock 3/8-16 Unc
18	872 11 06-08	Bolt Rdhd Sqnk 3/8-16 x 1 Gr5	119	819 12 14-14	Washer 3/8 x 7/8 x 14 Ga.
19	532 13 28-27	Bolt Shoulder 5/16-18 Thd Form	124	872 11 06-12	Bolt Carr Sh 3/8-16 x 1-1/2 Gr5
20	532 1654-84	Bolt 3/8-24 x 1.25 Gr8 Ptch Lhthd	130	872 11 05-06	Bolt Rdhdsqnk 5/16-18 Unc x 3/4
21	873 68 05-00	Nut Crown Lock 5/16-18	131	532 1656-61	Chute Bagger CRD 92cm
22	532 1652-43	Bracket Idler Sprt RR 92 CRD	151	532 1696-70	Bracket Clutch Cable
23	532 1654-46	Bracket Idler Sprt RF 92 CRD	152	532 17 03-00	Cable Clutch CRD Service
24	532 1652-42	Bracket Suspension LF 92 CRD	153	532 1696-74	Washer Flat 3/8" Type B
25	532 1652-44	Bracket Suspension RF 92 CRD	154	532 1696-75	Spring Retainer
26	532 1652-37	Brace Support Susp Frt CRD	155	532 1696-71	Spring Retainer Lvr Cltch Cab
27	532 1655-68	Bracket Asm. Susp RR 92 CRD	156	532 1696-72	Spacer Clutch Cable
28	532 1655-67	Bracket Asm. Susp LR 92 CRD	157	532 1696-69	Rod Clutch Cable 3/8"
30	532 17 39-84	Screw Thd Rolling Washer Head	158	817 72 04-08	Screw Hex Thdcut 1/4-20 x 5/8
31	532 12 99-63	Washer Spacer Mower Vented	-	532 13 07-94	Mandrel Asm Service
32	532 15 35-31	Mandrel Pulleys 36 & 46	-	532 1655-79	Mandrel Asm CRD Lh Threads SVC
33	532 17 83-42	Nut Flg Top Lock	-	532 18 06-44	Replacement Mower, Complete
34	532 1652-39	Bracket Gauge Wheel Lf 92 CRD			
35	532 1652-38	Bracket Gauge Wheel Rf 92 CRD			
36	532 14 67-63	Pulley Idler V-Groove Dim 4.25			

NOTE: All component dimensions given in U.S. inches
1 inch = 25.4 mm

REPAIR PARTS

TRACTOR- -MODEL NO. P11CRD (P11CRDA) PRODUCT NO. 964 78 02-00
BAGGER



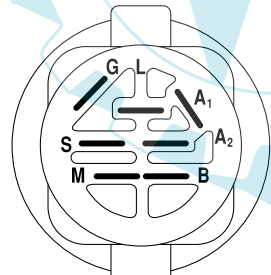
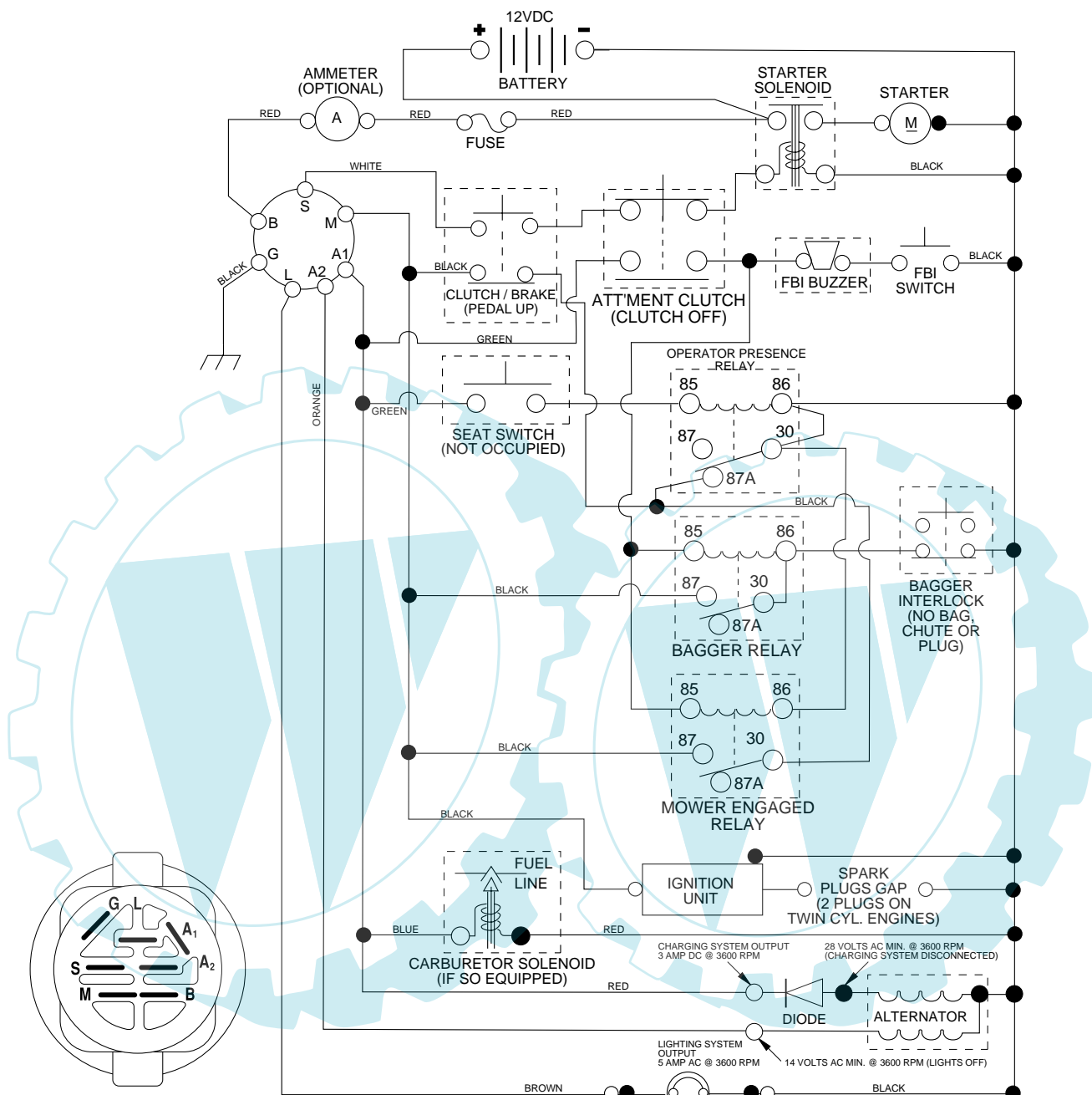
REPAIR PARTS

TRACTOR- -MODEL NO. P11CRD (P11CRDA) PRODUCT NO. 964 78 02-00
BAGGER

KEY NO.	PART NO.	DESCRIPTION
1	532 16 52-49	Tube Handle Bagger CRD
2	872 14 04-16	Bolt Carriage 1/4-20 x 2.0 Gr.5
3	532 12 39-76	Nut Lock 1/4 Lge Flg Gr. 5 Zinc
4	532 16 99-16	Handle Bagger w/Lvrs Gr. 5 Zinc
5	874 98 10-24	Screw Pan Head #10-24 x 1.50 Blk
6	874 98 10-32	Screw Pan Hd
7	873 40 10-00	Nut Wiz Lock Hex Serr/Hd #10-24
8	532 16 99-63	Cover Bagger Plastic CRD MS421
9	872 14 04-18	Bolt Carriage 1/4-20 x 2.25d x Gr.5
10	532 18 12-82	Tube Support Bagger
11	532 16 57-19	Bracket Support Upper Bag CRD
12	532 16 96-85	Bracket Horiz. Adj Bagger
13	872 11 06-06	Bolt Rdhd Sht Sqnk 3/8-16 x 3/4
14	872 14 06-20	Bolt RDHD 3/8-16 x 2-1/2 Gr.5
16	873 90 06-00	Nut Lock Flg 3/8-16 Unc
17	872 14 05-06	Bolt Rdhd Sht Sqnk 5/16 -18 Unc x 3/4
18	819 11 12-16	Washer 11/32 x 3/4 x 16 Ga.
19	873 90 05-00	Nut Lock Hex Flange 5/16-18
20	532 16 96-84	Bracket Horiz Adj Bagger
21	532 18 08-80	Bag Asm CRD
22	532 16 57-81	Bracket Side Bagger CRD
23	532 16 57-82	Tube Upper Bagger CRD
24	532 16 57-83	Tube Pivot Bagger CRD
25	532 18 01-24	Tube Front Bagger CRD
26	532 16 57-85	Tube Lower Bagger CRD
27	532 16 96-92	Bushing Snap Bagger CRD
28	532 16 57-87	Grip Handle Flange CRD Black
31	532 12 47-88	Retainer Spring 1" Zinc/Cad
32	532 12 68-75	Rivet Rd Hd Drilled 3/8 Dia
36	819 13 20-16	Washer 13/32 x 1-1/4 x 16 Ga.
37	532 17 54-01	Plug Support Bagger CRD
38	872 01 05-20	Bolt 5/16-18 x 2-1/2
39	532 18 09-85	Seal Trim 37"
41	532 16 96-83	Bracket Vert Adj Bagger CRD
42	873 80 05-00	Nut Lock Hx w/Ins 5/16-18 unc

NOTE: All component dimensions given in U.S. inches
1 inch = 25.4 mm

TRACTOR- -MODEL NO. P11CRD (P11CRDA) PRODUCT NO. 964 78 02-00
SCHEMATIC



IGNITION SWITCH

POSITION	CIRCUIT	"MAKE"
OFF	M+G+A1	NONE
RUN/LIGHT	B+A1	A2+L
RUN	B+A1	NONE
START	B + S + A1	NONE

WIRING INSULATED CLIPS
NOTE: IF WIRING INSULATED CLIPS WERE REMOVED FOR SERVICING OF UNIT, THEY SHOULD BE REPLACED TO PROPERLY SECURE YOUR WIRING.

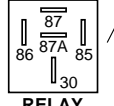
● NON-REMOVABLE CONNECTIONS

○ REMOVABLE CONNECTIONS

PTO SWITCH

POSITION	CIRCUIT
OFF	C + G, B + H
ON	C + F, B + E, A + D

NOTE
YOUR TRACTOR IS EQUIPPED WITH A SPECIAL ALTERNATOR SYSTEM. THE LIGHTS ARE NOT CONNECTED TO THE BATTERY, BUT HAVE THEIR OWN ELECTRICAL SOURCE. BECAUSE OF THIS, THE BRIGHTNESS OF THE LIGHTS WILL CHANGE WITH ENGINE SPEED. AT IDLE THE LIGHTS WILL DIM. AS THE ENGINE IS SPEEDED UP, THE LIGHTS WILL BECOME THEIR BRIGHTEST.



RELAY

